

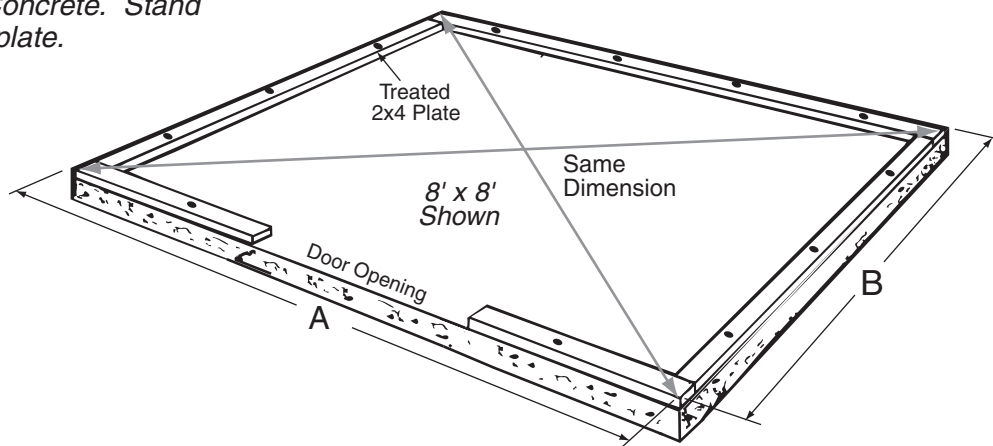


Concrete Foundation Installation

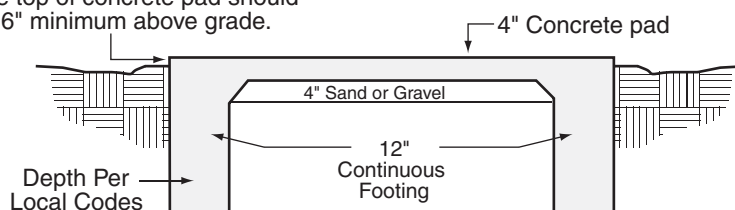
Check with local building authority for specific requirements.

For concrete foundation, construct 4" concrete slab, as shown. Attach treated Plate to Concrete. Stand building walls and attach to treated plate.

Concrete Anchors Per Slab Size						
Nominal Floor Size	A	B	Anchors Per Floor	Front	Back	Side x2
8x8	8'	8'	12	2	4	3
8x10	8'	10'	14	2	4	4
8x12	8'	12'	16	2	4	5
8x14	8'	14'	18	2	4	6
8x16	8'	16'	20	2	4	7
10x8	10'	8'	16	4	4	4
10x10	10'	10'	16	4	4	4
10x12	10'	12'	18	4	4	5
10x14	10'	14'	20	4	4	6
10x16	10'	16'	20	4	4	6
10x18	10'	18'	22	4	4	7
12x12	12'	12'	20	4	6	5
12x16	12'	16'	24	4	6	7
12x20	12'	20'	28	4	6	9
12x24	12'	24'	30	4	6	10
16x16	16'	16'	24	4	7	7
16x20	16'	20'	29	4	7	9
16x24	16'	24'	31	4	7	10
16x28	16'	28'	35	4	7	12



The top of concrete pad should be 6" minimum above grade.

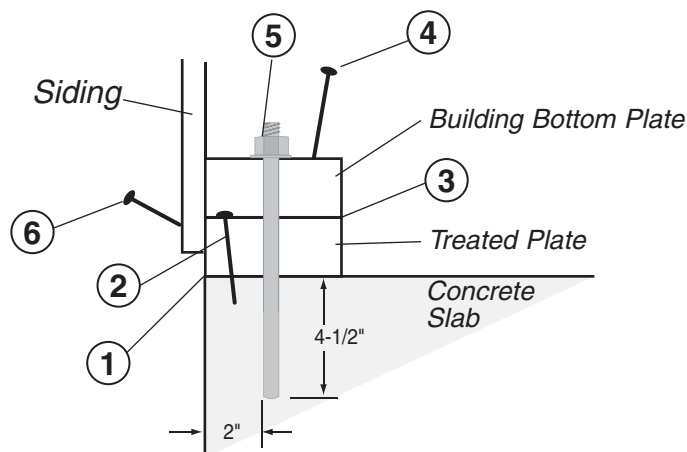


Anchors

We recommend 1/2" dia. x 8-1/2" long Simpson Wedge-All or similar anchor. Check with local building authority for any local requirements. Anchor should be kept 2" from the edge of concrete. Maximum spacing of anchors is 30". One Anchor placed within 12" of the end opening, building corner, or plate splice). Hammer drill is recommended.

* 2 Anchors need to be installed next to each side of door opening except 8' wide buildings.

- ① Caulk/Sealant used between Concrete and Treated Plate (Sherwin Williams 850A Caulk)
- ② Put a few 3" Nails into Treated Plate to hold in place
- ③ Shim to Level between plates needed *(max 5/8")
- ④ 3" nails every 24" into Treated Plate
- ⑤ Drill and place anchors per anchoring details above
- ⑥ Attach siding to Treated Plate every 8" with siding nails



*Contact the branch for direction when slab is out of level beyond 5/8".